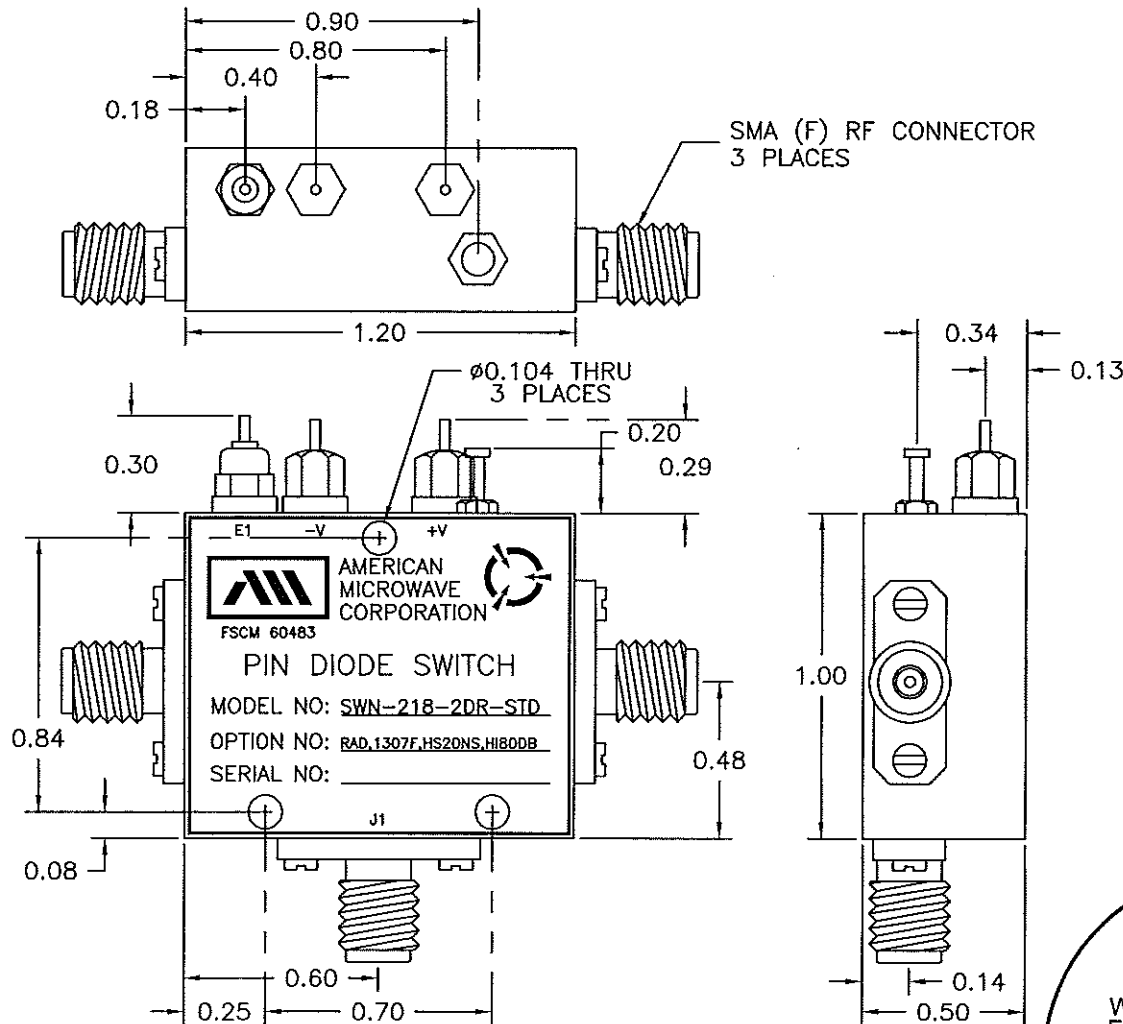


DESCRIPTION:

AMC MODEL SWN-218-2DR-STD OPTION RAD, 1307F, HS20NS, HI80DB IS A SINGLE POLE TWO THROW, REFLECTIVE SWITCH MODULE WITH VERY HIGH ISOLATION, LOW LOSS, HIGH SPEED AND WITH INTEGRAL TTL DRIVER, DESIGNED FOR BROAD BAND OPERATIONS.

REVISIONS				
ZONE	REV.	DESCRIPTION	DATE	APPROVED
	-	ORIGINAL RELEASE	10/18/07	

MECHANICAL OUTLINE



ALL DIMENSIONS ARE IN INCHES
 TOLERANCES:
 X.XX ±0.020
 X.XXX ±0.010

AMERICAN MICROWAVE CORPORATION

7311-G GROVE ROAD
 FREDERICK, MARYLAND 21704 USA
 TEL: 301-662-4700 FAX: 301-662-4938
 WEBSITE: www.americanmicrowavecorp.com
 E-MAIL: sales@americanmicrowavecorp.com
 ISO 9001:2000 CERTIFIED



APPROVALS		DATE	TITLE		
DRAWN	<i>PRB</i>	10/18/07	MECHANICAL OUTLINE SWN-218-2DR-STANDARD OPTIONS: RAD, 1307F, HS20NS, HI80DB SOLID STATE SWITCH		
CHECKED	<i>PRB</i>	10/18/07	SIZE	FSCM NO.	DWG NO.
ISSUED			A	60483	100-4427-126
			SCALE	N:S	SHEET 2 OF 4

DESCRIPTION:

AMC MODEL SWN-218-2DR-STD OPTION RAD, 1307F, HS20NS, HI80DB IS A SINGLE POLE TWO THROW, REFLECTIVE SWITCH MODULE WITH VERY HIGH ISOLATION, LOW LOSS, HIGH SPEED AND WITH INTEGRAL TTL DRIVER, DESIGNED FOR BROAD BAND OPERATIONS.

REVISIONS				
ZONE	REV.	DESCRIPTION	DATE	APPROVED
	-	ORIGINAL RELEASE	10/18/07	

SPECIFICATIONS

- FREQUENCY RANGE:..... 13 TO 14 GHz
- INSERTION LOSS:..... 13 TO 14 GHz - 1.9 dB MAXIMUM
- ISOLATION:..... 13 TO 14 GHz - 80 dB MINIMUM
- VSWR:..... 13 TO 14 GHz - 2.0:1 MAXIMUM
- SPEED:..... DELAY ON: 20 nS MAXIMUM
DELAY OFF: 20 nS MAXIMUM
- POWER INPUT:..... (CW)+20 dBm (STANDARD), +10 dBm (HIGH SPEED)
- SURVIVAL POWER:..... 1 WATT CW, 10 W PEAK (1 μSEC)
- CONTROL:..... TTL LOGIC "0"= J1-J2 ON, "1"=J1-J3 ON
- POWER SUPPLY:..... +5V @ 100 mA MAXIMUM
-5V @ 75 mA MAXIMUM
- CONNECTORS:
RF:..... SMA FEMALE
CONTROL:..... SOLDER PIN

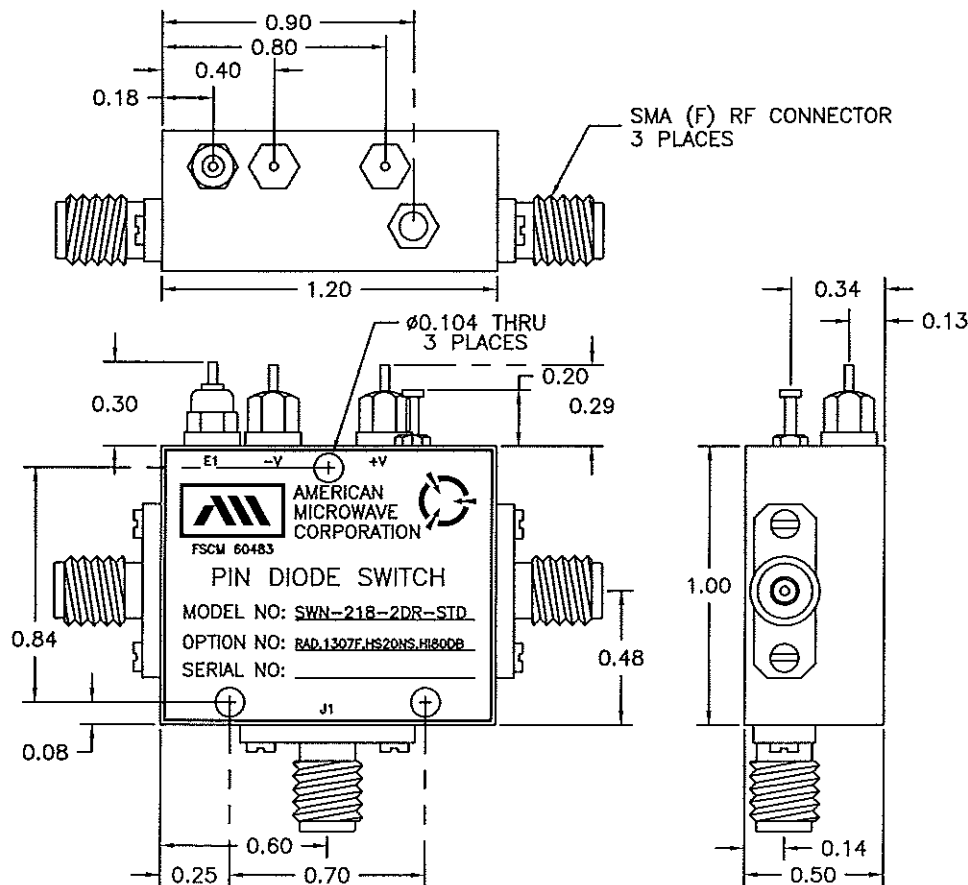
OPTIONS:

- RADSPECIAL HIGH SPEED DRIVER
- 1307FOPTIMIZED FREQUENCY 13.40 TO 13.98 GHZ
- HS20NSHIGH SPEED 20ns
- HI80DBHIGH ISOLATION 80dB

ENVIRONMENTAL RATINGS:

- TEMPERATURE:.....-55°C TO +85°C (OPERATING)
-65°C TO +125°C (STORAGE)
- HUMIDITY:.....MIL-STD-202G, METHOD 103B COND. B
- SHOCK:.....MIL-STD-202G, METHOD 213B COND. B
- VIBRATION:.....MIL-STD-202G, METHOD 204D COND. B
- ALTITUDE:.....MIL-STD-202G, METHOD 105C COND. B
- TEMPERATURE CYCLE:.....MIL-STD-202G, METHOD 107D COND. A

NOTE! SPECIFICATIONS WILL VARY OVER OPERATING TEMPERATURE
NOTE! THE ABOVE SPECIFICATIONS ARE SUBJECT TO CHANGE DR REVISION



ALL DIMENSIONS ARE IN INCHES
TOLERANCES:
X.XX ±0.020
X.XXX ±0.010

AMERICAN MICROWAVE CORPORATION

7311-G GROVE ROAD
FREDERICK, MARYLAND 21704 USA
TEL: 301-662-4700 FAX: 301-662-4938
WEBSITE: www.americanmicrowavecorp.com
E-MAIL: sales@americanmicrowavecorp.com
ISO 9001:2000 CERTIFIED



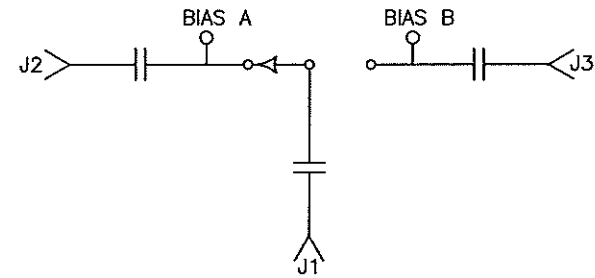
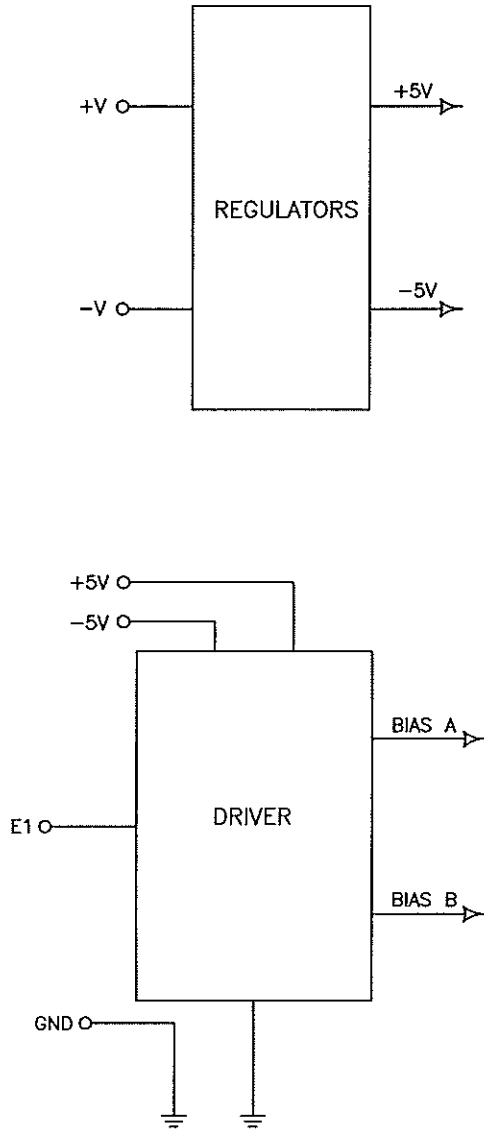
APPROVALS		DATE	TITLE		
DRAWN <i>PRB</i>		10/18/07	PRODUCT FEATURE		
CHECKED <i>PRB</i>		11/2/08	SWN-218-2DR-STANDARD		
ISSUED			OPTIONS: RAD, 1307F, HS20NS, HI80DB		
			SOLID STATE SWITCH		
SIZE	FSCM NO.	DWG NO.	REV.		
A	60483	100-4427-126	-		
SCALE N:S		SHEET		1 OF 4	

DESCRIPTION:

AMC MODEL SWN-218-2DR-STD OPTION RAD, 1307F, HS20NS, HI80DB IS A SINGLE POLE TWO THROW, REFLECTIVE SWITCH MODULE WITH VERY HIGH ISOLATION, LOW LOSS, HIGH SPEED AND WITH INTEGRAL TTL DRIVER, DESIGNED FOR BROAD BAND OPERATIONS.

REVISIONS				
ZONE	REV.	DESCRIPTION	DATE	APPROVED
	-	ORIGINAL RELEASE	10/18/07	

FUNCTIONAL BLOCK DIAGRAM



CONFIDENTIAL AND PROPRIETARY

AMERICAN MICROWAVE CORPORATION

7311-G GROVE ROAD
 FREDERICK, MARYLAND 21704 USA
 TEL: 301-662-4700 FAX: 301-662-4938
 WEBSITE: www.americanmicrowavecorp.com
 E-MAIL: sales@americanmicrowavecorp.com
 ISO 9001:2000 CERTIFIED



APPROVALS		DATE	TITLE		
DRAWN	<i>DRB</i>	10/18/07	FUNCTIONAL BLOCK DIAGRAM SWN-218-2DR-STANDARD OPTIONS: RAD, 1307F, HS20NS, HI80DB SOLID STATE SWITCH		
CHECKED	<i>MG</i>	11/2/08	SIZE	FSCM NO.	DWG NO.
ISSUED			A	60483	100-4427-126
			SCALE	N:S	SHEET 3 OF 4
			REV. -		